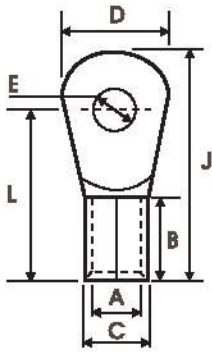


COPPER CABLE TERMINALS : RING TYPE (NON INSULATED)

Material : Electrolytic high conductivity-Copper
Finish : Electro Tinned Plated

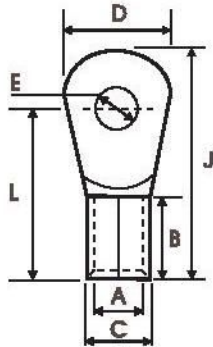


Product Ref.	Size mm ²	Dimensions mm								
		E	A	C	D	F	B	H	L	J
HGR-7103	1.5	2.2	1.6	3.2	6	0.8	5	4	11	14
HGR-7000	1.5	2.6	1.6	3.2	6	0.8	5	4	11	14
HGR-7001	1.5	3.2	1.6	3.2	6	0.8	5	4	11	14
HGR-7002	1.5	3.7	1.6	3.2	6	0.8	5	4	11	14
HGR-7003	1.5	4.2	1.6	3.2	6	0.8	5	4	11	14
HGR-7005	1.5	5.2	1.6	3.2	8	0.8	5	6	12	16
HGR-7007	1.5	6.4	1.6	3.2	10	0.8	5	6	13	18
HGR-7107	2.5	3.2	2.3	3.9	6.5	0.8	5	3.5	9.5	12.7
HGR-7000	2.5	3.7	2.3	3.9	6.5	0.8	5	3.5	9.5	12.7
HGR-7001	2.5	4.2	2.3	3.9	8	0.8	5	5	12	16
HGR-7002	2.5	5.2	2.3	3.9	8	0.8	5	5	12	16
HGR-7003	2.5	6.4	2.3	3.9	10	0.8	5	7	13	18
HGR-7005	2.5	8.2	2.3	3.9	12	0.8	5	9	16	22
HGR-7007	2.5	8.2	2.3	3.9	16	0.8	5	10	17	25
HGR-7005	2.5	10.2	2.3	3.9	16	0.8	5	10	17	25
HGR-7047	2.5	12.7	2.3	3.9	18	0.8	5	14	20	29
HGR-7112	.4-6	4.2	3.5	5.5	10	1	5	5	14	19
HGR-7016	.4-6	5.2	3.5	5.5	10	1	6	5	14	19
HGR-7113	.4-6	5.2	3.5	5.5	12	1	6	6	14	20
HGR-7017	.4-6	6.4	3.5	5.5	12	1	6	6	14	20
HGR-7018	.4-6	8.2	3.5	5.5	12	1	6	6	14	20
HGR-7020	.4-6	8.2	3.5	5.5	14	1	6	10.5	18.5	25.5
HGR-7021	.4-6	9.7	3.5	5.5	14	1	6	10.5	18.5	25.5
HGR-7026	10	5.2	4.2	6.3	10	1	8	4	15	20
HGR-7118	10	4.2	4.3	6.3	10	1	8	7	17	22
HGR-7025	10	5.2	4.3	6.3	10	1	8	7	17	22
HGR-7120	10	6.4	4.3	6.3	12	1	8	7	17	23
HGR-7121	10	8.2	4.3	6.3	16	1	8	7	19	27
HGR-7122	10	8.2	4.3	6.3	18	1	8	9	21	30
HGR-7123	10	10.2	4.3	6.3	22	1	8	10	23	34
HGR-7028	10	12.7	4.3	6.3	22	1	8	10	23	34
HGR-7124	16	5.2	5.6	8	10	1.2	10	6	19	24
HGR-7125	16	6.4	5.6	8	12	1.2	10	6	20	26
HGR-7029	16	6.4	5.6	8	12	1.2	10	6	20	26
HGR-7126	16	6.4	5.6	8	16	1.2	10	6	22	30
HGR-7030	16	8.2	5.6	8	16	1.2	10	6	22	30
HGR-7128	16	10.2	5.6	8	22	1.2	10	6	24	35
HGR-7033	16	12.7	5.6	8	22	1.2	10	6	24	35
HGR-7129	25	6.4	7.5	11.1	16	1.8	11	6	22	30
HGR-7034	25	8.2	7.5	11.1	16	1.8	11	6	22	30
HGR-7035	25	10.2	7.5	11.1	16	1.8	11	8	22	30
HGR-7037	25	12.7	7.5	11.1	22	1.8	11	14	31	42
HGR-7133	35	6.4	9	12.6	16	1.8	12		23	31
HGR-7038	35	8.2	9	12.6	16	1.8	12		23	31
HGR-7135	35	10.2	9	12.6	22	1.8	12	15	31	42
HGR-7040	35	12.7	9	12.6	22	1.8	12	15	31	42

(All Dimensions in mm)

COPPER CABLE TERMINALS : RING TYPE (NON INSULATED)

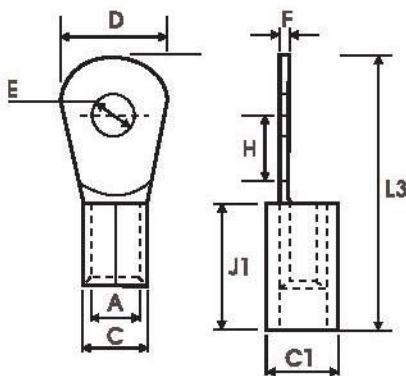
Material : Electrolytic high conductivity-Copper
Finish : Electro Tinned Plated



Product Ref.	Size mm ²	Dimensions mm								
		E	A	C	D	F	B	H	L	J
HGR-7136	50	8.2	10.5	14.1	18	1.8	16	12	34	43
HGR-7138		10.2	10.5	14.1	24	1.8	16	14	36	48
HGR-7042		12.7	10.5	14.1	24	1.8	16	14	36	48
HGR-7139		16.2	10.5	14.1	32	1.8	16	15	38	54
HGR-7140	70	10.2	12	16	22	2	18	11	36	47
HGR-7043		12.7	12	16	22	2	18	11	36	47
HGR-7142		16.2	12	16	28	2	18	16	40	54
HGR-7144	95	10.2	13.5	18.1	24	2.3	20	12	38	50
HGR-7044		12.7	13.5	18.1	24	2.3	20	12	38	50
HGR-7045		16.2	13.5	18.1	28	2.3	20	17	44	58
HGR-7146	120	12.7	15	20.2	26	2.6	22	7	39	52
HGR-7148		20.3	15	20.2	40	2.6	22	20	52	72
HGR-7150	150	16.2	16.5	23.7	40	3.6	24	20	54	74
HGR-7046		20.3	16.5	23.7	40	3.6	24	20	54	74

COPPER CABLE TERMINALS : RING TYPE (INSULATED)

MATERIAL : ETP COPPER IS: 1897:1983
Surface : Tin Plated



Product Ref.	Size mm ²	Dimensions mm								
		E	A	C	C1	D	F	J1	H	L3
HGRI-7052	1.5	2.2	1.6	3.2	4.8	6	0.8	10	4	16
HGRI-7053		2.6	1.6	3.2	4.8	6	0.8	10	4	16
HGRI-7054		3.2	1.6	3.2	4.8	6	0.8	10	4	16
HGRI-7055		3.7	1.6	3.2	4.8	6	0.8	10	4	16
HGRI-7056		4.2	1.6	3.2	4.8	6	0.8	10	4	16
HGRI-7062		5.2	1.6	3.2	4.8	6	0.8	10	5	17
HGRI-7066		6.4	1.6	3.2	4.8	10	0.8	10	6	18
HGRI-7068	2.5	3.2	2.3	3.9	5.5	6.5	0.8	10	3.5	14.5
HGRI-7069		3.7	2.3	3.9	5.5	6.5	0.8	10	3.5	14.5
HGRI-7071		4.2	2.3	3.9	5.5	8	0.8	10	5	17
HGRI-7072		5.2	2.3	3.9	5.5	8	0.8	10	5	17
HGRI-7074		6.4	2.3	3.9	5.5	10	0.8	10	7	18
HGRI-7077		8.2	2.3	3.9	5.5	12	0.8	10	9	21
HGRI-7079		8.2	2.3	3.9	5.5	16	0.8	10	10	22
HGRI-7080		10.2	2.3	3.9	5.5	16	0.8	10	10	22
									14	
HGRI-7085	4-6	4.2	3.5	5.5	7.1	10	1	14	5	22
HGRI-7086		5.2	3.5	5.5	7.1	10	1	14	5	22
HGRI-7089		6.4	3.5	5.5	7.1	12	1	14	6	22
HGRI-7090		8.2	3.5	5.5	7.1	12	1	14	6	22
HGRI-7094		8.2	3.5	5.5	7.1	14	1	14	10.5	26.5
HGRI-7095		9.7	3.5	5.5	7.1	14	1	14	10.5	26.5

(All Dimensions in mm)