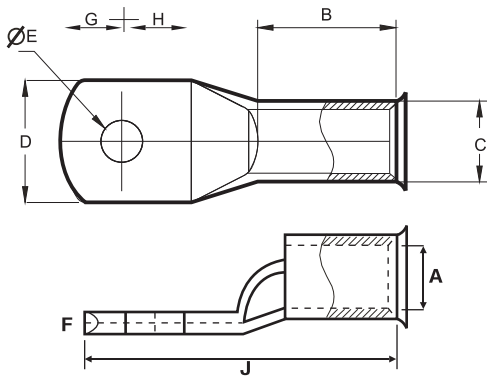




COPPER CABLE LUGS: BELL MOUTH

MATERIAL : ELECTROLYTIC HIGH CONDUCTIVITY COPPER
FINISH : ELECTRO TINNED
FEATURES : WITH OR WITHOUT INSPECTION HOLE

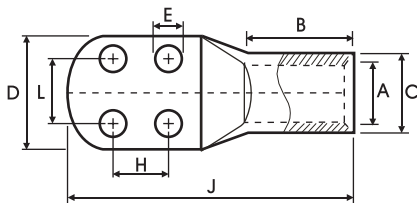


Product Ref.	Size mm ²	Stud Hole E	Dimensions mm						
			A	C	D	L	H	B	J
HGBT 150-8	150	8.4	16.5	21.2	30	16	16	27	70
HGBT 150-10		10.5	16.5	21.2	30	16	16	27	70
HGBT 150-12		13	16.5	21.2	30	16	16	27	70
HGBT 150-14		14.7	16.5	21.2	30	16	16	27	70
HGBT 150-16		17	16.5	21.2	30	16	16	27	70
HGBT 150-20		21	16.5	21.2	30	16	16	27	73
HGBT 185-10	185	10.5	18.5	23.5	34	17	19	32	80
HGBT 185-12		13	18.5	23.5	34	17	19	32	80
HGBT 185-14		14.7	18.5	23.5	34	17	19	32	80
HGBT 185-16		17	18.5	23.5	34	17	19	32	80
HGBT 185-20		21	18.5	23.5	34	17	19	32	80
HGBT 240-10	240	10.5	21	26.5	38	20	21	39	94
HGBT 240-12		13	21	26.5	38	20	21	39	94
HGBT 240-14		14.5	21	26.5	38	20	21	39	94
HGBT 240-16		17	21	26.5	38	20	21	39	94
HGBT 240-20		21	21	26.5	38	20	21	39	94



COPPER CABLE LUGS: FOUR HOLE

MATERIAL : ELECTROLYTIC HIGH CONDUCTIVITY COPPER
FINISH : ELECTRO TINNED
FEATURES : WITH OR WITHOUT INSPECTION HOLE

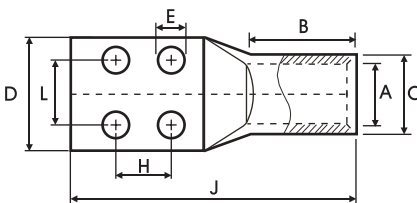


Product Ref.	Size mm ²	Stud Hole E	Dimensions mm						
			A	C	D	G	H	B	J
HGT 4004E10	400	10.5	28.5	36.5	52.5	44	35	25	114
HGT 4004E12		12.5	28.5	36.5	52.5	44	35	25	114
HGT 5004E10	500	10.5	30	39	56	48	35	25	124
HGT 5004E12		12.5	30	39	56	48	35	25	124
HGT 6304E10	630	10.5	35	45	65	56	35	25	144
HGT 6304E12		12.5	35	45	65	56	35	25	144
HGT 8004E10	800	10.5	39	50.6	72	78	35	25	170
HGT 8004E12		12.5	39	50.6	72	78	35	25	170
HGT 10004E10	1000	10.5	43	56.2	78.5	90	35	25	200
HGT 10004E12		12.5	43	56.2	78.5	90	35	25	200



COPPER CABLE LUGS: FOUR HOLE (ECO-SERIES)

MATERIAL : ELECTROLYTIC HIGH CONDUCTIVITY COPPER
FINISH : ELECTRO TINNED



Product Ref.	Size mm ²	Dimensions mm					
		E	A	D	L	H	J
HGT e 6304E10	630	10.5	35	61	35	25	144
HGT e 8004E10	800	10.5	39	67	35	25	170

(All Dimensions in mm)