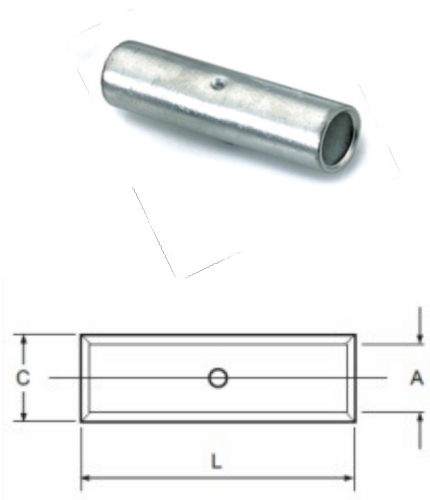


HIGH VOLTAGE COPPER IN-LINE CONNECTORS-33KV (LONG BARREL)

MATERIAL : ELECTROLYTIC HIGH CONDUCTIVITY-COPPER
FINISH : ELECTRO TINNED PLATED



| Product Ref. | Size mm ² | Dimensions mm | | |
|--------------|----------------------|---------------|-------|--------|
| | | A | C | L |
| HGHVC-50 | 50 | 9.50 | 14.50 | 85.00 |
| HGHVC-70 | 70 | 11.00 | 16.00 | 87.00 |
| HGHVC-95 | 95 | 13.50 | 19.00 | 97.00 |
| HGHVC-120 | 120 | 15.00 | 20.50 | 101.00 |
| HGHVC-150 | 150 | 16.50 | 23.00 | 101.00 |
| HGHVC-185 | 185 | 17.00 | 23.50 | 101.00 |
| HGHVC-240 | 240 | 19.20 | 25.50 | 105.00 |
| HGHVC-300 | 300 | 23.50 | 32.00 | 105.00 |
| HGHVC-400 | 400 | 27.00 | 38.00 | 146.00 |
| HGHVC-500 | 500 | 30.30 | 41.00 | 153.00 |
| HGHVC-630 | 630 | 33.40 | 43.00 | 165.00 |

(All Dimensions in mm)