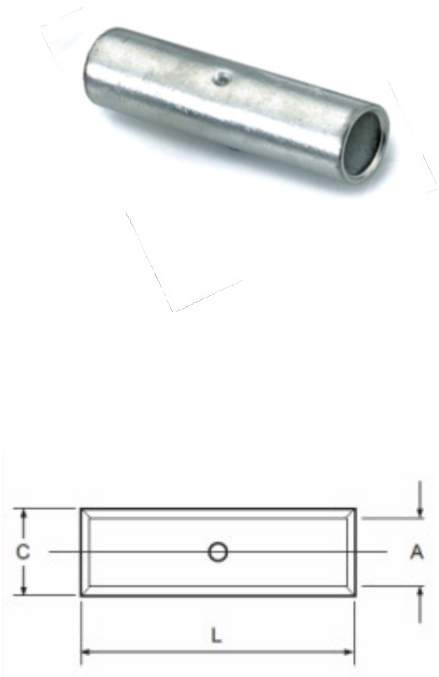


COPPER IN-LINE CONNECTORS (LONG BARREL)

MATERIAL : ELECTROLYTIC HIGH CONDUCTIVITY-COPPER
FINISH : ELECTRO TINNED PLATED



Product Ref.	Size mm ²	Dimensions mm		
		A	C	L
HGC-1.5	1.5	1.8	3.7	22
HGC-2.5	2.5	2.4	4	22
HGC-4	4	3.1	4.8	22
HGC-6	6	3.8	5.5	22
HGC-10	10	4.5	6.2	22
HGC-16	16	5.4	7.1	44
HGC-25	25	6.8	8.8	47
HGC-35	35	8.2	10.6	47
HGC-50	50	9.5	12.4	47
HGC-70	70	11.3	14.6	50
HGC-95	95	13.5	17.4	54
HGC-120	120	15	19.4	65
HGC-150	150	16.5	21.2	65
HGC-185	185	18.5	23.5	65
HGC-240	240	21	26.5	89
HGC-300	300	23.5	30	89
HGC-400	400	28.5	36.5	90
HGC-500	500	30	39	115
HGC-630	630	35	45	115
HGC-800	800	39	50.6	230
HGC-1000	1000	43	56.2	230