



ALUMINIUM CABLE GLANDS: BW TYPE

ALUMINIUM INDOOR GLANDS FOR USE WITH ALL TYPES OF SWA CABLES FOR USE IN DRY, INDOOR SITUATIONS. RECOMMENDED TO USE PVC SHROUD FOR ADDITIONAL INGRESS PROTECTION.

TYPE : BW

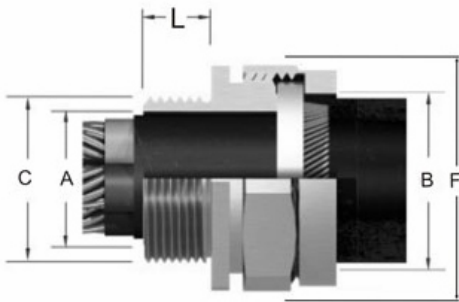
GLAND MATERIAL : ALUMINIUM

DESIGN SPECIFICATION : BS 6121: PART 1: 1989

CABLE TYPE : SWA/PVC

ENTRY THREAD : METRIC/IMPERIAL (ET)

FINISH : NATURAL



Cat #	Gland Ref.	Entry Thread Dia& Length		Cable Dimensions Accommodate		Armour Wire	Dia across flat F F/F-max.
		Dia 'C'	L	Dia 'A'	Dia 'B'		
HGBWAL20S	20S	20	10	12.3	16.9	0.9/1.25	23.6
HGBWAL20L	20L	20	10	14.2	21.0	0.9/1.25	25.4
HGBWAL25	25	25	10	20.4	28.1	1.25/1.6	34.0
HGBWAL32	32	32	15	26.5	33.7	1.6/2.0	40.5
HGBWAL40	40	40	15	32.5	41.0	1.6/2.0	48.6
HGBWAL50S	50S	50	15	38.5	48.7	2.0/2.5	57.5
HGBWAL50L	50L	50	15	44.4	53.8	2.0/2.5	61.0
HGBWAL63S	63S	63	15	50.5	60.8	2.0/2.5	70.0
HGBWAL63L	63L	63	15	56.4	65.5	2.5	74.9
HGBWAL75S	75S	75	15	62.2	72.5	2.5	84.5
HGBWAL75L	75L	75	15	68.1	78.2	2.5	90.0
HGBWAL90	90	90	15	79.0	91.5	3.0	105.5

(All Dimensions in mm)