



BRASS CABLE GLAND: BW (2 PART)

BRASS INDOOR GLANDS FOR USE WITH ALL TYPES OF SWA CABLES FOR USE IN DRY, INDOOR SITUATIONS. RECOMMENDED TO USE PVC SHROUD FOR ADDITIONAL INGRESS PROTECTION.

TYPE : BW KNURLING TYPE

GLAND MATERIAL : BRASS

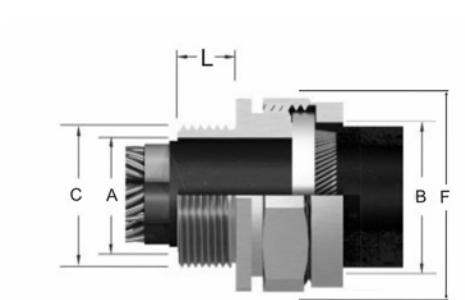
DESIGN SPECIFICATION : BS 6121: PART 1: 1989

CABLE TYPE : SWA/PVC

ARMOUR CLAMPING : TWO PART (ARMOUR LOCK)

ENTRY THREAD : METRIC/IMPERIAL (ET)

FINISH : NATURAL BRASS



Cat #	Gland Ref. Entry Thread Dia & Length			Cable Dimensions		Armour Wire	Dia across flat F F/F-max.
	BW	Dia 'C'	L	Dia 'A'	Dia 'B'		
HG2BW20S	20S	20	10	12.3	16.0	0.9/1.25	21.0
HG2BW20L	20L	20	10	14.2	20.0	0.9/1.25	23.5
HG2BW25S	25S	25	10	18.0	23.8	1.25/1.6	31.0
HG2BW25L	25L	25	10	20.4	26.8	1.25/1.6	33.5
HG2BW32S	32S	32	15	26.5	33.2	1.6/2.0	40.1
HG2BW32L	32L	32	15	26.5	33.3	1.6/2.0	40.2
HG2BW40S	40S	40	15	32.5	40.9	1.6/2.0	50.4
HG2BW40L	40L	40	15	32.5	40.8	1.6/2.0	50.5
HG2BW50S	50S	50	15	38.5	47.0	2.0/2.5	56.7
HG2BW50L	50L	50	15	44.4	52.8	2.0/2.5	62.7
HG2BW63S	63S	63	15	50.5	60.2	2.0/2.5	70.0
HG2BW63L	63L	63	15	56.4	65.4	2.5	76.3
HG2BW75S	75S	75	15	62.2	72.0	2.5	88.0
HG2BW75L	75L	75	15	68.0	78.0	2.5	92.6
HG2BW90	90	90	15	78.0	89.0	3.0	106.0

(All Dimensions in mm)