



### BRASS CABLE GLAND: BW (4 PART)

BRASS INDOOR GLANDS FOR USE WITH ALL TYPES OF SWA CABLES FOR USE IN DRY, INDOOR SITUATIONS. RECOMMENDED TO USE PVC SHROUD FOR ADDITIONAL INGRESS PROTECTION.

**TYPE :** BW (WITH LOCK RING)

**GLAND MATERIAL :** BRASS

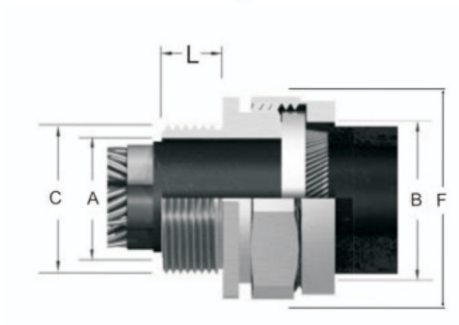
**DESIGN SPECIFICATION :** BS 6121: PART 1: 1989

**CABLE TYPE :** SWA/PVC

**ARMOUR CLAMPING :** FOUR PART (ARMOUR LOCK)

**ENTRY THREAD :** METRIC/IMPERIAL (ET)

**FINISH :** NATURAL BRASS



Cat #	Gland Ref. Entry Thread Dia & Length			Cable Dimensions		Armour Wire	Dia across flat F F/F-max.
	BW	Dia 'C'	L	Dia 'A'	Dia 'B'		
HGBW20S	20S	20	10	12.3	16.0	0.9/1.25	21.0
HGBW20L	20L	20	10	14.2	20.0	0.9/1.25	23.5
HGBW25S	25S	25	10	18.0	23.8	1.25/1.6	31.0
HGBW25L	25L	25	10	20.4	26.8	1.25/1.6	33.5
HGBW32S	32S	32	15	26.5	33.2	1.6/2.0	40.1
HGBW32L	32L	32	15	26.5	33.3	1.6/2.0	40.2
HGBW40S	40S	40	15	32.5	40.9	1.6/2.0	50.4
HGBW40L	40L	40	15	32.5	40.8	1.6/2.0	50.5
HGBW50S	50S	50	15	38.5	47.0	2.0/2.5	56.7
HGBW50L	50L	50	15	44.4	52.8	2.0/2.5	62.7
HGBW63S	63S	63	15	50.5	60.2	2.0/2.5	70.0
HGBW63L	63L	63	15	56.4	65.4	2.5	76.3
HGBW75S	75S	75	15	62.2	72.0	2.5	88.0
HGBW 75L	75L	75	15	68.0	78.0	2.5	92.6
HGBW 90	90	90	15	78.0	89.0	3.0	106.0

(All Dimensions in mm)